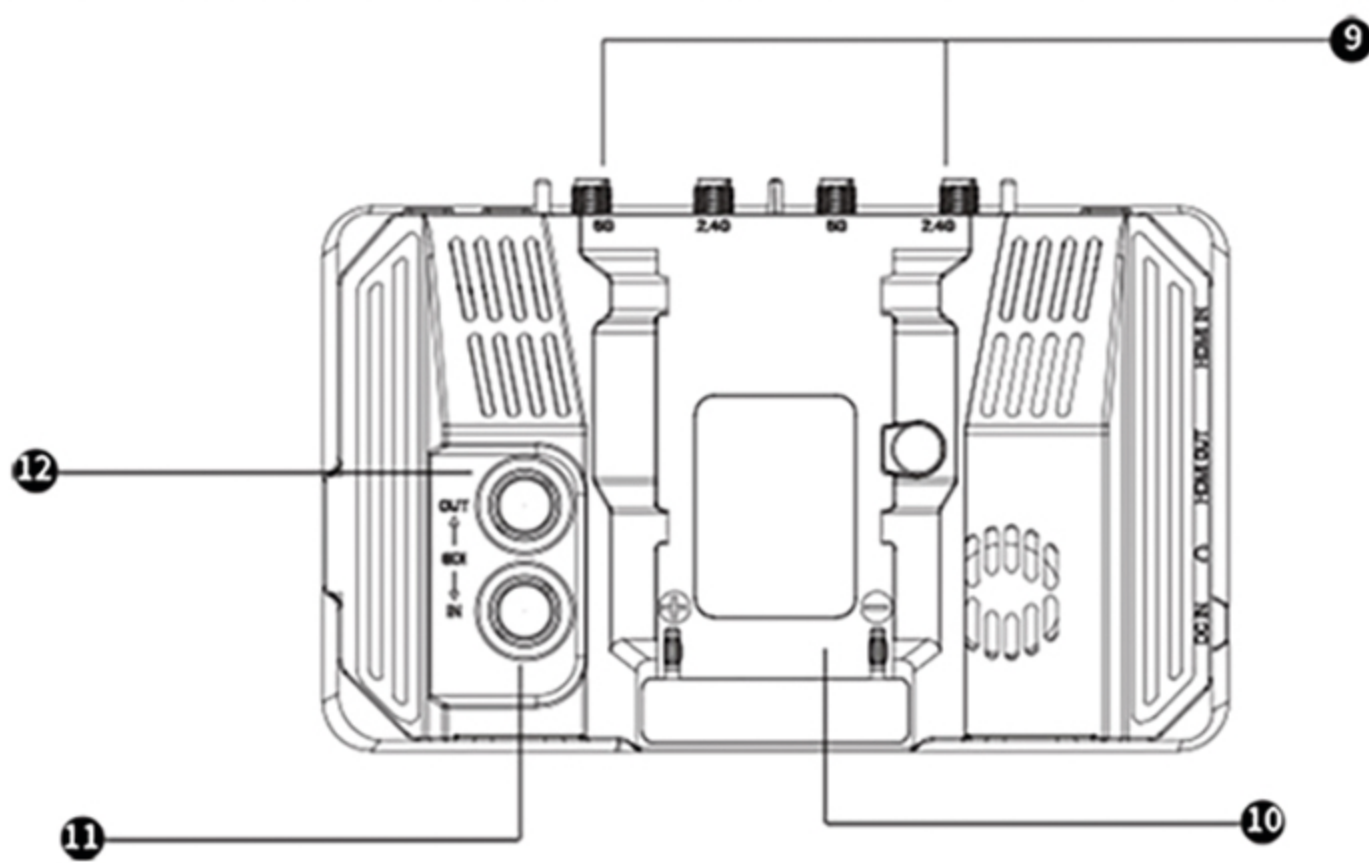
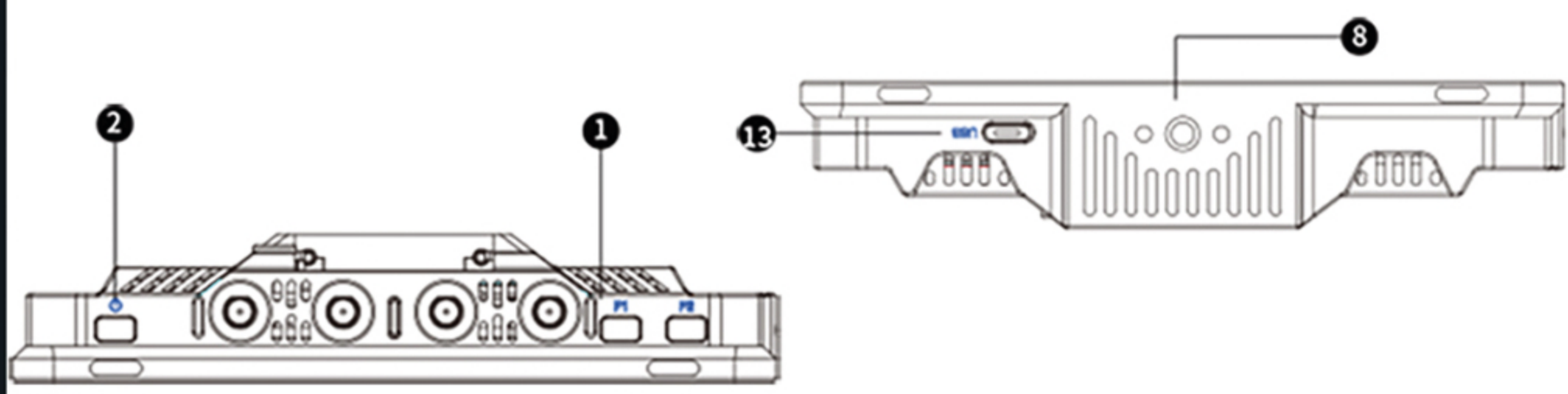


ZO600MS - Specifications

Buttons And Ports



- ① Function Key ② Power Button ③ HDMI IN ④ HDMI Out
- ⑤ 3.5mm Headphone Jack ⑥ DC IN ⑦ SD Card Slot ⑧ 1/4"-20 Thread Hole
- ⑨ Antennas ⑩ NP-F Battery Plate ⑪ SDI IN ⑫ SDI OUT
- ⑬ USB Upgrade Port

Technical Parameter

MODEL NO:	ZO600MS
Screen Size:	5.5"TP
Screen resolution:	1920*1080
Brightness:	2000cd/m ²
Contrast Ratio:	1200 : 1
Viewing Angle:	178° (H/V)
Input:	DC power input port SD card port TX/RX: SDI input (BNC female) HDMI input
Output:	3.5mm headphone output interface RP-SMA male (4 antennas) TX: HDMI output (loop out), RX: SDI output (BNC female) HDMI output
Video Recording Format:	MP4
LUT Format:	cube(17*17*17/33*33*33)
Transmit Range:	1 TX unit + 1 RX unit 300 meters as transmission distance.
HDMI Video Input Format:	1080p60/59.94/50/30/29.97/25/24/23.98 1080i60/59.94/50 720p60/59.94/50
SDI Video Input Format:	1080p60/59.94/50/30/29.97/25/24/23.98 1080PSF30/29.97/25/24/23.98 1080i60/59.94/50 720p60/59.94/50
HDMI Video Output Format:	(TX) 1080p60/59.94/50/30/29.97/25/24/23.98 1080i60/59.94/50 720p60/59.94/50 (RX) 1080p60/50/30/25/24/ 1080i60/50 720p60/50
SDI Video Output Format:	(RX) 1080p60/50/30/25/24/ 1080i60/50 720p60/50
Audio Frequency:	48kHz
Power Supply Way/Voltage:	NP-F/DC IN
Power input range:	DC 7-16V
Power dissipation:	< 14W
Firmware Updates:	SD card updates
Weight:	330g
Unit Size:	147.8*88.8*28.35mm