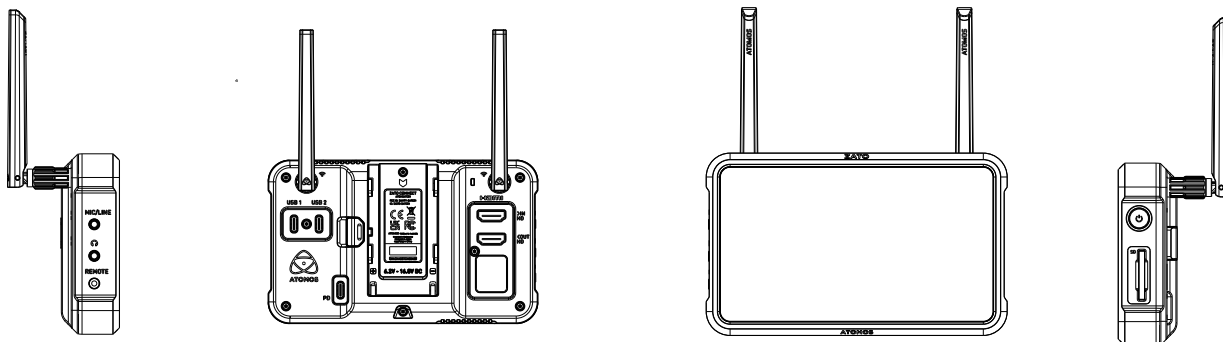




ZATO CONNECT

5" Network Connected Monitor & Encoder



Key Features

- Live stream to Facebook Live, Twitch, YouTube and more
- Transform HDMI and mirrorless cameras with plug-and-play UVC webcam out for meetings and presentations in Microsoft Teams, Skype, Slack, Zoom, and many others.
- Connect almost any HDMI device up to 1080p60 or any USB webcam at up to 1080p30
- Mix audio levels from HDMI camera input, USB webcam & external mic/line inputs
- Add custom PNG overlay graphics to create lower thirds, logos, and watermarks
- Monitor Assist features including zoom 2x, 9 grid and extensive frame guides
- Stream, record, and output your program simultaneously, to get your content online without limitation
- Playback pre-recorded content "as live" via network streaming, UVC webcam, HDMI, or all at the same time
- 5-inch full HD, SuperAtom (1000nit) display for great visibility in even the brightest of locations
- Wi-Fi 5 and 1Gbe Ethernet (via included USB-C adapter) to share your work with the world

ZATO CONNECT

Now everyone can monitor, stream, and engage with social platforms and video conferencing. ZATO CONNECT has been designed to act as a compact, easy-to-use gateway to ATOMOS Cloud Studio. The device supports nearly all HDMI and USB UVC sources to livestream to Facebook Live, Twitch, YouTube, and other social sites, or can be used to create a webcam source for Microsoft Teams, Slack, Zoom, and other conferencing software.

The implementation of the AtomOS Lite software provides an intuitive and easy-to-use experience for new customers. The software includes all the essential tools, so it feels familiar for existing customers too. With a compact form factor, the SuperAtom IPS 5-inch (1000nit) display, Wi-Fi 5, USB-C, and Ethernet (via USB-C adapter) connectivity, as well as, NP-F

battery or USB-C PD power options, ZATO CONNECT is an ideal companion for livestreaming in the field, the studio, or wherever else it travels.

Stream From Anywhere

Livestreaming and high-quality video conferencing is made easy and accessible with ZATO CONNECT. With support for HDMI and USB UVC cameras or video sources, the device is equipped with Wi-Fi 5, Gigabit Ethernet (via USB-C), and the ability to join cellular hotspots, everyone can stream to Facebook Live, Twitch, and YouTube, or create high-quality video for Microsoft Teams, Slack, and Zoom from anywhere.

Streaming Simplified

Anyone can set up a live stream, manage accounts via Atomos Cloud Studio and create high-value video content with ZATO CONNECT. The 5-inch touchscreen display can be used to change sources and monitor the outgoing program stream. The device is compact enough to mount on a DSLR or mirrorless camera rig. It's equally at home next to a PC, Mac computer, or gaming console. Streaming has never been easier and ZATO CONNECT is the ideal, all-in-one solution.

Comprehensive I/O

While incredibly compact, the ZATO CONNECT lives up to its name. Featuring input and output ports for both HDMI and USB UVC, the device can transform the output from a wide array of video equipment into a livestream or webcam source. The 3.5mm audio jack can also be used to add microphone or line sources and the ZATO CONNECT can be used to mix them with embedded audio from HDMI or USB UVC.

Go Live or As Live!

Each livestream can be recorded as local H.264 backup to an SD card. With the ability to combine recorded sources with live content, it's possible to take one of these recordings and stream the content "as live" with ZATO CONNECT. This opens lots of creative opportunities and adds value to any stream or video presentation.

Get your Audio in the Mix

ZATO CONNECT includes an audio mixer, which can be used to adjust and combine audio signals from the 3.5mm analog input with the embedded audio from HDMI and USB UVC sources. Each channel can be adjusted independently and mixed down to a single stereo track for a livestream, recording, or video presentation.

An Essential Toolkit

Whether it's configuring streams, changing input sources, recording, playback, mixing audio, or adding effects, AtomOS Lite on the ZATO CONNECT makes it all a breeze. The software features a number of key tools including overlay effects, image zoom, and frame guides that will help add value to every stream or video conference.

Create an Identity

Whether through a livestream or virtual meeting, video has become an everyday part of all our lives. Today businesses, influencers, entrepreneurs, houses of worship, and educators all use video to establish an identity or reinforce a brand. Compelling content can make a difference and help emphasize branding, core messages, or even empower sponsorship opportunities. Applying graphic overlays to streams or watermarking recorded content is easy with ZATO CONNECT.

ZATO CONNECT - Technical specifications

Physical Specifications	
Weight (grams/lbs) without battery / accessories	245g / 8.64oz
Dimensions (W x H x D mm)	151 x 91.5 x 29.5mm
Environmental	
Ambient operating temperature (C/F)	Up to 40 Degrees Celsius
Construction & Control	
Body	Polycarbonate ABS plastic
Multi-function button	Power / lock Screen
Cooling	Passive
Network Config Settings	Auto-Join WiFi, DHCP, Manual Network Configuration
Power	
Input voltage range	6.2V to 16.8V
Max Wattage	20W
USB	USB-PD
Compatible batteries	1 x NP-F / L series
Battery voltage	7.2V
DC in connector	via locking DC Jack on optional Battery Eliminator (5.5mm OD & 2.1mm ID)
D-Tap	Via optional D-Tap to DC cable
Display	
Touch Screen	SuperAtom IPS panel (capacitive touch)
Size	5.2"
Resolution / PPI	1920 x 1080 / 427
Viewing angle	178 H + V
Color Gamut	Rec 709
Bit Depth	10-Bit (8+2 FRC)
Backlight type	Edge
Brightness (cdm ² /Nits)	1000 (+/-10%)
Video In/Out	
HDMI In	1 x HDMI 1.4 (up to 1080p60)
HDMI Out	1 x HDMI 1.4 (up to 1080p60)
USB In	Webcam up to 1080p30
USB Out	Webcam up to 1080p30
Bit Depth	8-bit
Video Chroma Subsampling	YCbCr 420
Audio In/Out	
Audio Quality	16-Bit / 48kHz
Audio Codec	PCM (In & Out) & AAC (Streaming & Recording)
HDMI	2ch, input dependent
Analogue Audio in	3.5mm Jack - 5v power
Analogue Audio Out	3.5mm Jack
USB	USB Webcam 2 ch.
Speakers	2 x 5w
Headphone out	3.5mm 2ch
Network	
Ethernet	via included USB-C Dongle
Wi-fi	Wi-Fi 5
USB Host	USB Webcam
Atomos Cloud	Connect to Atomos Cloud Studio services
Cellular	Connect to Hot Spot via Wi-Fi
Web Streaming	
USB UVC	Yes, up to 1080p30
RTMP / S	Yes, authenticate and configure via Atomos Cloud Studio

Resolution & Frame Rates (Record, Monitor & Playback)	
FHD 1920 x 1080 Progressive	up to 1080p60
1280 x 720 Progressive	up to 720p60
Recording CODEC	
H.264	up to 1080p60
Codec option	LQ, MQ, HQ
Playback	
H.264	Clips recorded on-device
HDMI out	up to 1080p60
UVC out	up to 1080p30
Monitoring	
SDR	Rec.709
Supported media	
SD	SD UHS-1 (up to 128GB size)
On screen tools	
2 x Zoom	Tap to zoom
Grid markers	9 grid
Frame guides	16:9, 1.91, 4:3, 1:1, 4:5, 9:16
Display Flip	Vertical and Horizontal (Selfie mode)
Supported applications	
H.264	All Applications with support for H.264 in .MP4 wrapper
What's in the Box	
Included	ZATO CONNECT, 2 x Wi-Fi Antennas with black caps, 5 x Antenna colored caps: White/Red/Yellow/ Black/Green, 2 x Antenna Top Caps, 2 x Antenna Mount Cover, 1 x USB-C to USB-C Cable, USB-C to Ethernet Adapter, 1 x Antenna Storage Pouch, 1 x Quick Start Guide, 1 x Screen Cloth
Warranty	
Standard	1 year