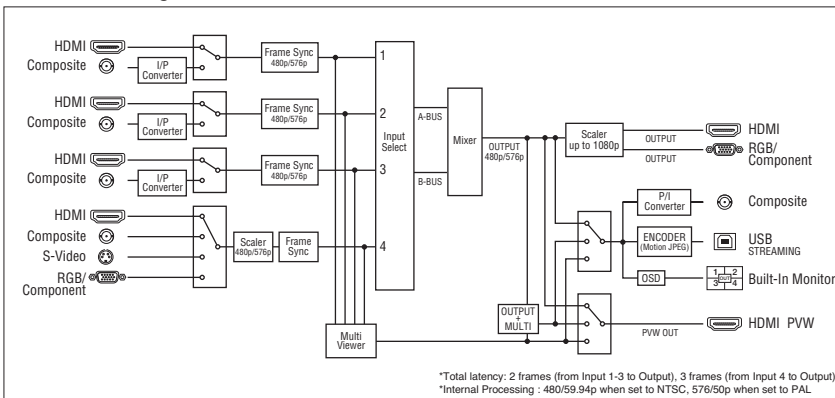


Specifications

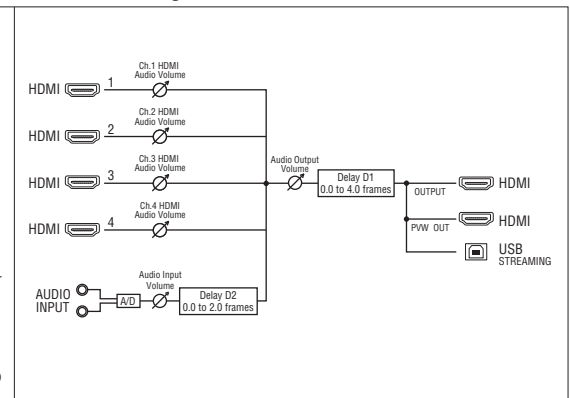
Video Processing	4:2:2 (Y/Pb/Pr), 8 bits (Internal Processing : 480/59.94p when set to NTSC, 576/50p when set to PAL)	Input Connectors	Video	HDMI : Type A (19 pins) x 4 (INPUT 1 -- 4) RGB/Component : HD DB-15 type x 1 (INPUT 4) Composite : BNC type x 4 (INPUT 1 -- 4) S-Video : 4-pin mini DIN type x 1 (INPUT 4)
Audio Processing	Sampling Rate : 24 bits/48 kHz, 2 ch		Audio	RCA-pin type x 1 pair (AUDIO IN)
Input Formats	HDMI Video (INPUT 1 -- 3) : requires 720x480/59.94p (when set to NTSC), 576/50p (when set to PAL) HDMI and Component Video (INPUT 4) : 480/59.94i, 480/59.94p, 720/59.94p, 1080/59.94i, 1080/59.94p (when set to NTSC), 576/50i, 576/50p, 720/50p, 1080/50i, 1080/50p (when set to PAL) HDMI Audio (INPUT 1 -- 4) : Linear PCM, 24 bits/48 kHz, 2 ch RGB (INPUT 4) : 640 x 480/60Hz, 800 x 600/60Hz, 1024 x 768/60Hz, 1280 x 768/60Hz, 1280 x 1024/60Hz, 1366 x 768/60Hz, 1400 x 1050/60Hz, 1600 x 1200/60Hz, 1920 x 1200/60Hz * The refresh rate is the maximum value of each resolution. * Conforms to VESA DMT Version 1.0 Revision 11. * 1920 x 1200/60Hz : Reduced blanking Composite Video (INPUT 1 -- 4) : NTSC, PAL S-Video (INPUT 4) : NTSC, PAL	Output Connectors	Final Output	HDMI : Type A (19 pins) x 1 (OUTPUT) RGB/Component : HD DB-15 type x 1 (OUTPUT) Composite : BNC type x 1 (OUTPUT)
			Preview Output	HDMI : Type A (19 pins) x 1 (PWV OUT)
Output Formats	HDMI and RGB/Component Video (OUTPUT) : 480/59.94i, 576/50i, 480/59.94p, 576/50p, 720/59.94p, 720/50p, 1080/59.94i, 1080/50i, 1080/59.94p, 1080/50p 640 x 480, 800 x 600, 1024 x 768, 1280 x 768, 1280 x 1024, 1366 x 768, 1400 x 1050, 1600 x 1200, 1920 x 1200 * The output format of HDMI and RGB/Component is always the same. When an interlaced format is selected, component signal is output from the RGB/COMPONENT connector. When a non-interlaced format is selected, RGB signal is output from the RGB/COMPONENT connector. * The refresh rates of RGB format is 60 Hz when set to NTSC, 75 Hz when set to PAL (excluding 1600 x 1200 and 1920 x 1200. The refresh rate of these 2 is 75 Hz when set to PAL.) * RGB formats : Conforms to VESA DMT Version 1.0 Revision 11. * 1920 x 1200/60Hz : Reduced blanking HDMI Audio (OUTPUT) : Linear PCM, 24 bits/48 kHz, 2 ch Composite Video : NTSC, PAL Preview Video (PWV OUT) : 480/59.94p when set to NTSC, 576/50p when set to PAL Preview Audio (PWV OUT) : Linear PCM, 24 bits/48 kHz, 2 ch USB Video : 720 x 480 when set to NTSC, 720 x 576 when set to PAL, Motion JPEG USB Audio : Linear PCM, 16 bits/48 kHz, 2 ch	Other Connectors	MIDI : 5 pins DIN type x 2 (IN, OUT/THRU) USB : B type x 1 (for streaming and remote control)	
		Signal Level Impedance	RGB/Component	Signal Level : 1.0 Vp-p (luminance), 0.7 Vp-p (chroma) Impedance : 75 ohms
			Composite	Signal Level : 1.0 Vp-p Impedance : 75 ohms
			S-Video	Signal Level : 1.0 Vp-p Impedance : 75 ohms
			Analog Audio	Nominal Input Level : - 10 dBu Maximum Input Level : + 8 dBu Impedance : 15 k ohms
		Display	Graphic Color LCD, 320 x 240 dots, touch panel	
		Video Effects	Transition : Mix, Cut, Wipe (259 patterns) Composition/Filter : Picture in Picture, Luminance Key, Chroma Key, Strobe, Negative, Colorize, Feedback, Emboss, Multi, Mirror etc. (148 types) Others : Output Fade, Freeze	
		Power Supply	AC adaptor	
		Current Draw	2.0 A	
		Dimensions	225 (W) x 296 (D) x 105 (H) mm / 8-7/8 (W) x 11-11/16 (D) x 4-3/16 (H) inches	
		Weight	2.6 kg / 5 lbs 12 oz (excl. AC adaptor)	
		Accessories	AC adaptor, Power Cord, RCA - BNC conversion plug x 2, Owner's Manual	

* OdBus=0.775Vrms

Video Block Diagram



Audio Block Diagram



Video Capture for VR

Video Capture for VR is application software that captures video and audio signals output from the V-4EX and saves them to files on your PC connected to the V-4EX via USB.

OS : Windows 7 /Windows Vista

Free download from www.rolandsystemsgroup.net.

Related Items



Four Multi-Format Channels at the Pinnacle of HD Picture Quality

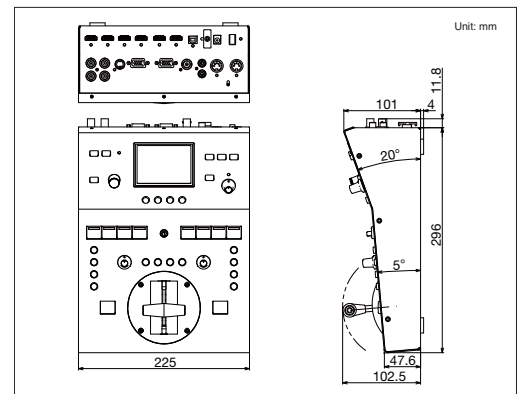
MULTI-FORMAT VIDEO SWITCHER
V-40HD



Portable Audio and Video Mixer with USB Streaming

AV MIXER
VR-3

Dimensions



Roland Systems Group

Roland Systems Group, a member of the worldwide group of Roland companies, is dedicated to the support of audio and video professionals demanding excellence in both performance and system design. Through the development and support of video and audio products, we endeavor to improve workflow and maximize creative possibilities.



MIDI Visual Control is an internationally-used recommended practice that was added to the MIDI specification so that visual expression could be linked with musical performance. Video equipment that is compatible with MIDI Visual Control can be connected to electronic musical instruments via MIDI in order to control video equipment in tandem with a performance.



Using V-LINK, musicians can "play" video from their electronic instrument when used with Roland video products. With V-LINK, musicians have a powerful interface for realtime audio and video integration.

Ensuring high quality while protecting the environment: Roland is ISO9001 and ISO14001 certified

At Roland, several group companies have obtained ISO9001 certification. In addition, in January 1999, Roland also received ISO14001 international environmental management system certification. We're actively seeking ways to maintain harmony with the environment. (ISO=International Standardization Organization: an organization for the promotion of standardization of international units and terms. They provide different categories of certification: ISO9001 Series certification is a product quality certification for products that undergo a certain level of quality control from the design stage to the after service stage; ISO14001 Series certification is for environment-related standards. Each member of the Roland Group is striving to obtain certification.)

All specifications and appearances are subject to change without notice. Company names and product names appearing in this document are registered trademarks or trademarks of their respective owners. Roland and V-Mixer are either registered trademark or trademark of Roland Corporation in the United States and/or other countries. It is forbidden by law to make an audio recording, video recording, copy or revision of a third party's copyrighted work (musical work, video work, broadcast, live performance, or other work), whether in whole or in part, and distribute, sell, lease, perform, or broadcast it without the permission of the copyright owner. Do not use this product for purposes that could infringe on a copyright held by a third party. We assume no responsibility whatsoever with regard to any infringements of third-party copyrights arising through your use of this product. Copyright 2013 Roland Corporation. All right reserved.



www.rolandsystemsgroup.com/v4ex

Printed in Japan. Jan. 2013 RAM-20036 GEN-PD