

RGB10X-USB-BK USB PTZ Camera with 10X Optical Zoom



Front View



Rear View

Key Features

- 70 degree wide-angle lens
- Auto-focus technology
- Low noise and high SNR
- Up to 255 presets
- Pan and tilt control
- Wide application
- Low-power sleep function

Specification

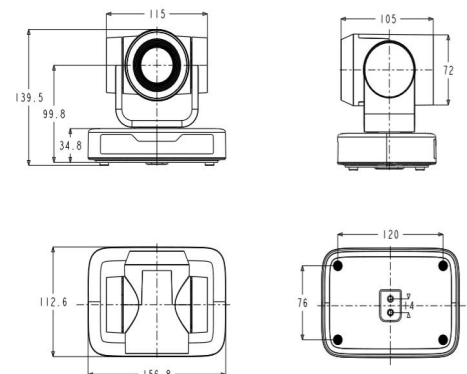
Connectors	Video(Output)	USB 2.0	1×USB-A
	Communication	RS232	2×DIN 8
		RS485	1×2 Pin Terminal Connector
	Power		1×HEC3800 DC Socket
Performance	Camera	Optical Zoom	10X f=4.34~41.66mm
		View Angle	8.8°~70°
		AV	F1.85 ~ F2.43
		Digital Zoom	10X
		Minimum Illumination	0.5 lux (F1.8, AGC ON)
		DNR	2D & 3D DNR
		White Balance	Auto/Manual/One Push/3000K/3500K/4000K/4500K/5000K/5500K/6000K/6500K/7000K
		Focus	Auto/Manual/One Push
		Exposure	Auto/Manual
		BLC	ON/OFF
		Video Adjustment	Brightness/Color/Saturation/Contrast/Sharpness/B/W mode/Gamma curve
	SNR	>55dB	
	Effective Pixels	2.07m,16:9	
Pan-and-Tilt Parameter	Pan/Tilt Movement	-170°~+170°/-30°~+90°	
	Pan/Tilt Control Speed	0.1~60°/S; 0.1~30°/S	
	Preset Speed/Quantity	Pan:60°/S, Tilt:30°/S; Up to 255 preset positions (10 remote control)	
Video Compression Format	MJPG H.264 H.265		
Output Resolutions	720p@25/30 1080p@25/30		
Control Protocol	VISCA Pelco-D Pelco-P		
Operating System	Windows 7 Windows8 Windows10 Mac osx Linux		
USB Communication Protocol	UVC		
Power	Input Voltage	DC12V/0.25A	
	Max Power	2.5W	
Environment	Temperature	-10℃~50℃	
	Humidity	20%~80%	
Physical	Weight	1kg	
	Dimension	156.8mm×112.6mm×139.5mm	

Order Codes

Product Code	Item
981-0011-12-0	RGB10X-USB-BK USB PTZ Camera with 10X Optical Zoom

* There is no standard bracket for this PTZ. If necessary, please contact RGBlink sales for additional orders.

Dimension



Tel: +86-592-5771197 | Fax: +86-592-5788216 | E-mail: sales@rgbink.com

Headquarter: S601 Weiye Building,Torch Hi-Tech Development Zone,Xiamen,Fujian,P.R.C.

RGBlink[®]

www.rgbink.com



Specifications are correct at time of printing and subject to change or alteration without notice.

TAO 1pro



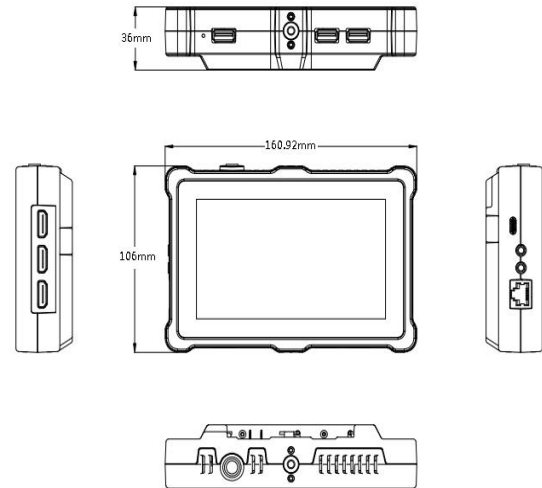
Key Features

- 5.5 inch HD touch screen for operation
- Network HD streaming
- Seamless switcher
- Asynchronous rotation of main screen and HDMI output
- 2*UVC inputs,2*HDMI 1.3 input and 1* HDMI 2.0 output
- HDCP supported
- Bluetooth 5.0
- NDI 5.0 encoder
- NDI decoder
- Support image function:oscillograph,vectorgraph histogram,etc
- Sound column
- Recording via USB 2.0 port,mobile hard disk stores up to 2T
- Multistream up to 4 Live Streaming platform Simultaneously
- Compatible with SONY NF970 and Panasonic AG-VBR59MC standard battery socket (no battery install for standard version)

Application



Dimension



Order Codes

Product Code	Item
410-5513-01-0	TAO 1pro
410-5513-01-1	TAO 1pro-S
490-5513-01-0	TAO 1pro lithium battery(optional)

Tel: +86-592-5771197 | Fax: +86-592-5788216 | E-mail: sales@rgblink.com

Headquarter: Room 601A, No. 37-3 Banshang community, Building 3, Xinke Plaza, Torch Hi-Tech Industrial Development Zone, Xiamen, China

Specifications are correct at time of printing and subject to change or alteration without notice.



Specification

Connectors	Input	HDMI 1.3	2×HDMI-A	
		USB 3.0	2×USB TypeA	
	Output	HDMI 2.0	1×HDMI-A	
	Record	USB 2.0	1×USB TypeA	
	Audio	In	1×3.5mm Audio Jack	
		Out	1×3.5mm Audio Jack	
	Communication/Stream	LAN	1×RJ45	
Power		1×USB-C		
Performance	Input Resolutions	HDMI		
		SMPTE	720p@50/60 1080p@23/24/60	
		VESA	1024×768@60 1280×720@60 1280×800@60 1280×1024@60 1360×768@60 1600×1200@60 1680×1050@60 1920×1080@60	
	Output Resolutions	HDMI		
SMPTE		720p@50/60 1080p@24/25/50/60 2160p@60		
VESA		1024×768@60 1280×720@50/60 1280×800@60 1280×1024@60 1360×768@60 1920×1080@50/60 3840×2160@60		
Supported Standard	HDMI	1.3(Input) 2.0(Output)		
	USB	3.0		
Screen Feature	Screen Dimension	5.5" TFT		
	Resolution	1080×1920 pixels		
	Dot Pitch	0.063(H)×0.021(W)(mm)		
	Aspect Ratio	16:9		
	Brightness	450cd/m ²		
	Contrast	1000:1		
	Backlight	LED		
	View Angle	80°/80°(L/R)80°/80°(U/D)		
Power	Input Voltage	9V/2A		
	Max Power	18W		
Environment	Temperature	0°C~55°C		
	Humidity	5%~85%		
Physical	Weight	Net	0.35kg(without battery);882g(with battery)	
		Package	0.77kg(1pcs) 19.6kg(20pcs)	
	Dimension	Net	161mm×106mm×36mm	
		Package	255mm×145mm×85mm(1pcs) 565mm×490mm×345mm(20pcs)	

Tel: +86-592-5771197 | Fax: +86-592-5788216 | E-mail: sales@rgblink.com

Headquarter: Room 601A, No. 37-3 Banshang community, Building 3, Xinke Plaza, Torch Hi-Tech Industrial Development Zone, Xiamen, China

Specifications are correct at time of printing and subject to change or alteration without notice.

RGBlink[®]

www.rgblink.com

