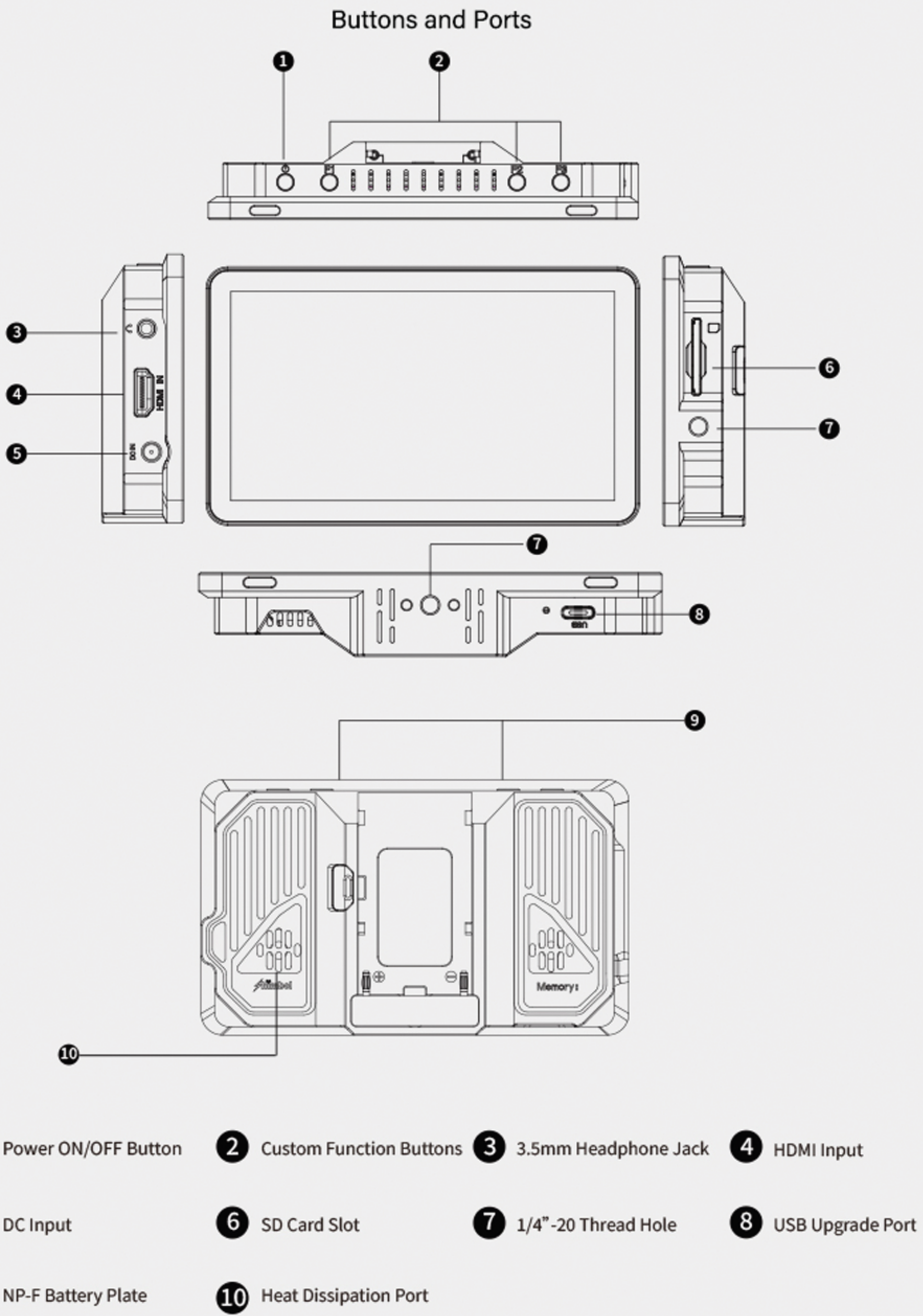


MEMORY I - Specifications



Technical Parameters

Model No.: MEMORY I	Screen Size 5.5"TP	Screen Resolution 1920*1080
Brightness 2000cd/ m ²	Interface: DC In , HDMI input, 3.5mm Headphone out, SD card slot, Type-C	
Power Consumption: <9W	Power Supply Method NP-F / DC IN	Unit Size 146.6*87.6*26.5mm
Contrast Ratio: 1200:1	Input Voltage: DC 6.5V-16.8V	Weight 283g
Firmware Updates SD card updates	Audio Frequency 48kHz	LUT Format: cube doc(17*17*17/33*33*33)
Input Signal Formats: 4096*2160P25/24/23.98 3840*2160P30/23.98/25/24/23.98 1920*1080p60/59.94/50/30/29.97/25/24/23.98 1920*1080i60/59.94/501280*720p60/59.94/50		Video Recording Format: MP4 (A single file can't exceed 3.85G)