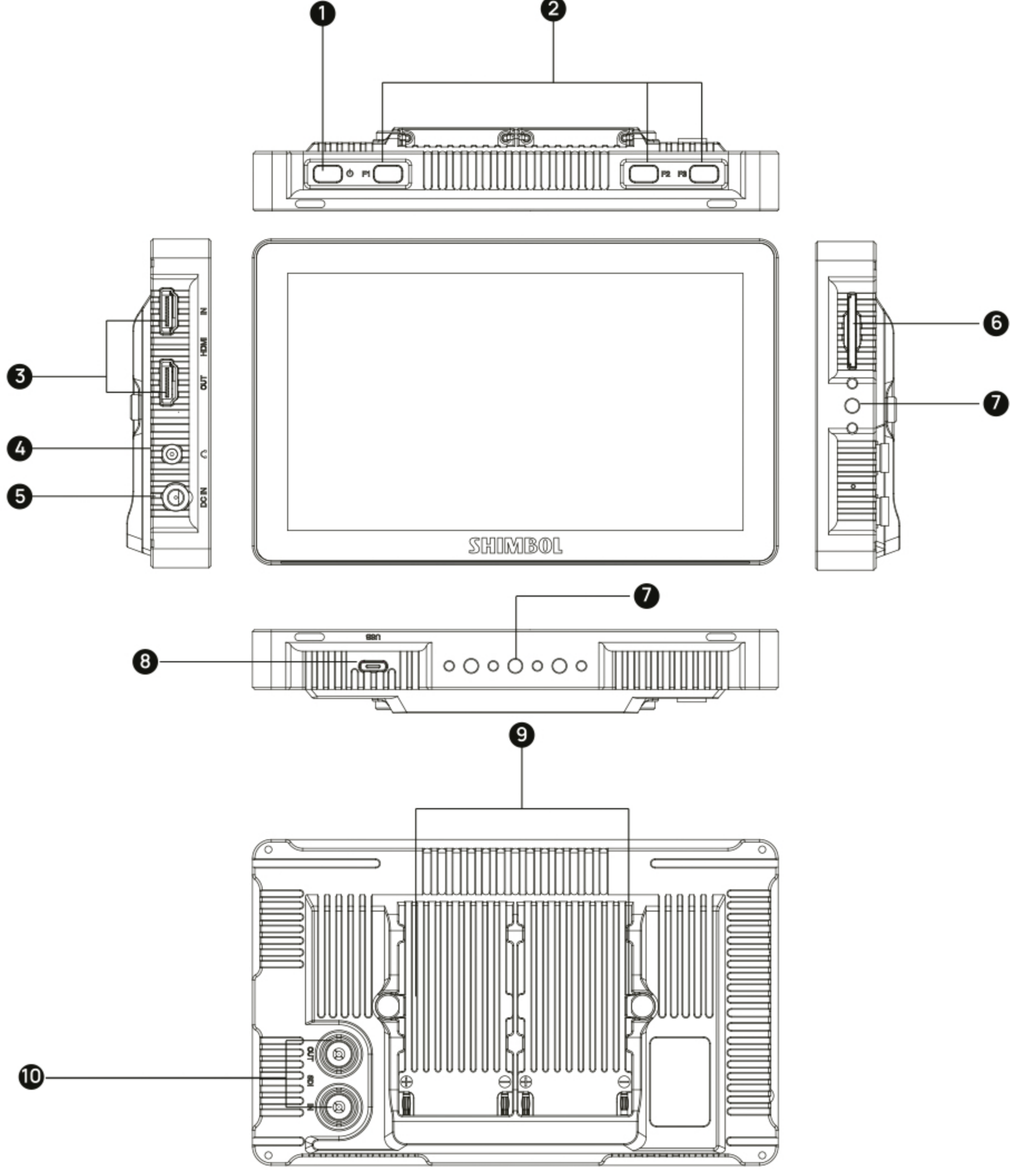


Memory 7 PRO - Specifications

Buttons And Ports



- ① Power ON/ OFF Button
- ② Custom Function Buttons
- ③ HDMI Interfaces
- ④ 3.5mm Headphone Jack
- ⑤ DC Input
- ⑥ SD Card Slot
- ⑦ 1/4"-20 Thread Hole
- ⑧ USB Upgrade Port Hole
- ⑨ NP-F Battery Plate
- ⑩ SDI Interfaces

Technical Parameters

MODEL NO.	Memory 7 PRO
Screen Size	7"TP
Screen Resolution	1920*1080
Aspect Ratia	16:9
Brightness	2200cd/m ²
Color Gamut	DCI-P3 / Delta E<1
Contrast Ratio	1800:1
Viewing Angle	170° (H/V)
Output Interface	SDI output, HDMI output, 3.5mm Headphone jack
Input Interface	DC in, SDI input, HDMI input, SD card slot
Video Rec Format	MP4(SD card format is exFAT)
LUT Format	cube file (17*17*17、33*33*33)
Audio Frequency	48kHz
Power Supply Way	Dual NP-F / DC IN
Power input range	DC7-16V
Consumption	< 10W
Upgrade method	SD Card
Lut output	HDMI & SDI Support
Body material	CNC Aluminum alloy
Colour	Black
Weight	455g
Size	178.8*110.8*20.3/28.3mm
HDMI Input Signal Formats	4096*2160P25/24/23.98
	3840*2160P30/23.98/25/24/23.98
	1920*1080p60/59.94/50/30/29.97/25/24/23.98
	1920*1080i60/59.94/50
	1280*720p60/59.94/50
SDI Input Signal Formats	1920*1080p60/59.94/50/30/29.97/25/24/23.98
	1920*1080PSF30/29.97/25/24/23.98
	1920*1080i60/59.94/50
	1280*720p60/59.94/50
HDMI Output Signal Formats	1920*1080p60/50/30/25/24
	1920*1080i60/50
	1920*p60/50
SDI Output Signal Formats	1080p60/50/30/25/24/
	1080i60/50 720p60/50
	support SDI-LOOP OUT mode
Weight	455g
Unit Size	178.8*110.8*20.3/28.3mm

Please-note:

- ① Recording file,It is under "Video" folder of root directory in SD card.
- ② The LUT file to be imported,It is under "Lut" folder of root directory in SD card, and the LUT files should not exceed 50.