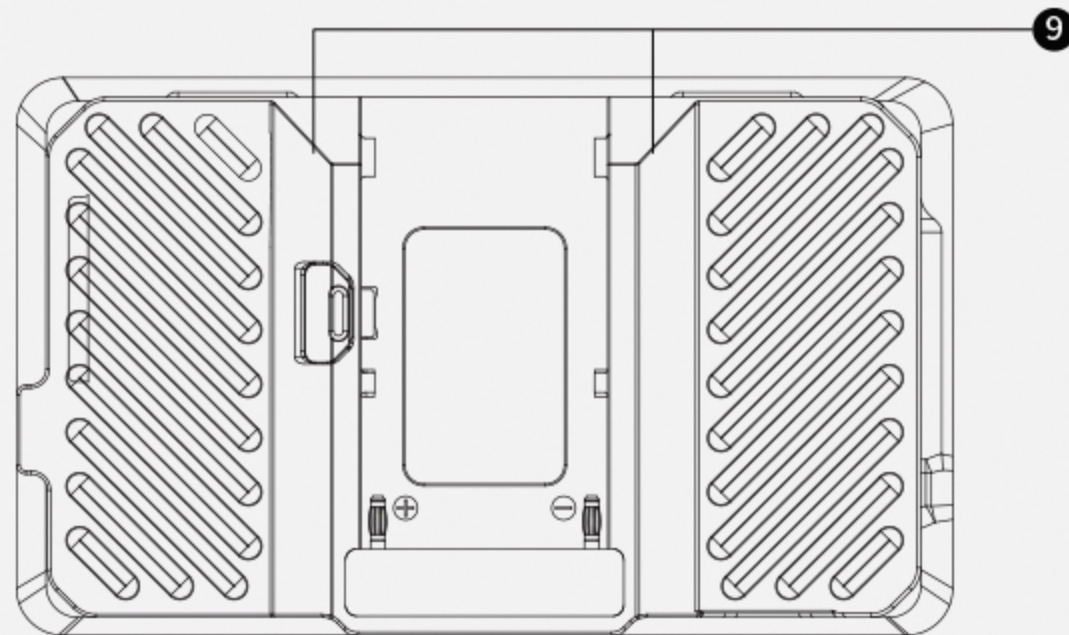
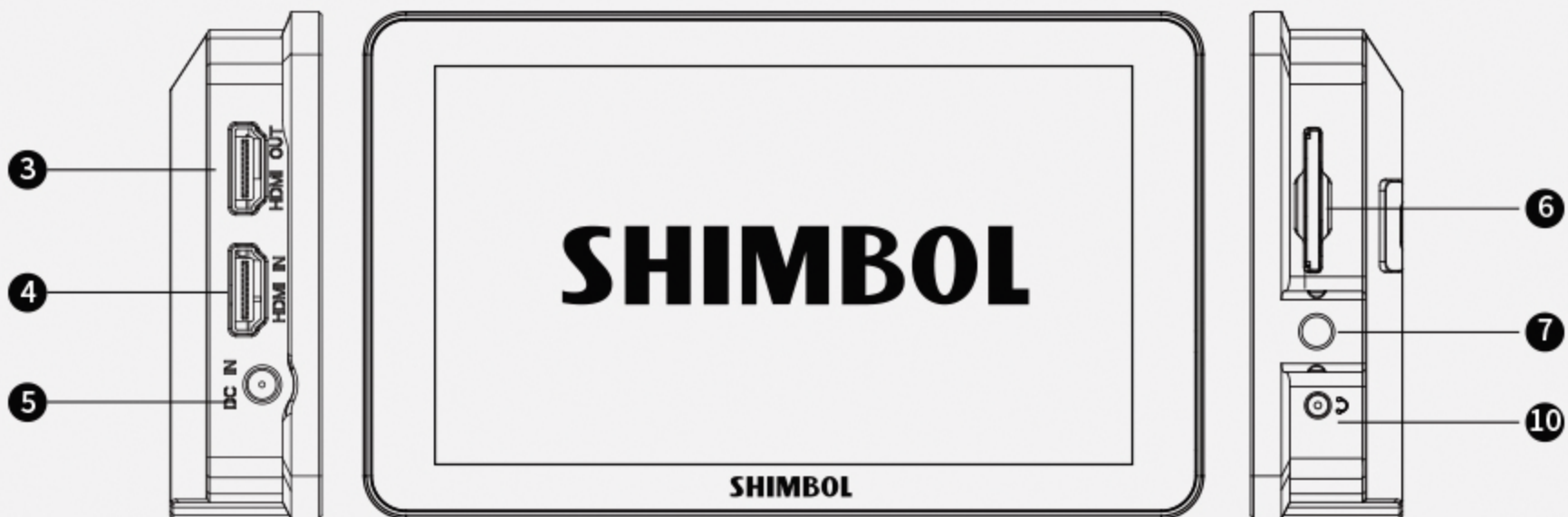
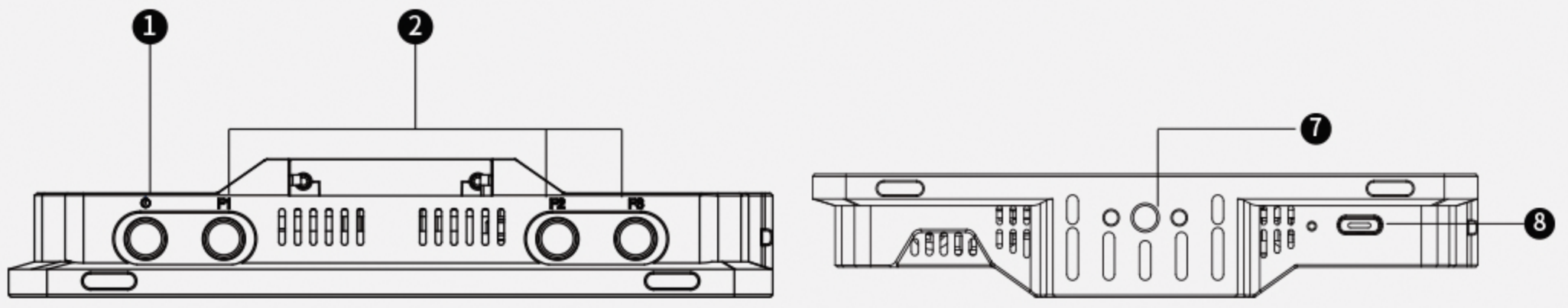


M5 - Specifications

Buttons and Ports



- 1 Power ON/OFF Button
- 2 Custom Function Buttons
- 3 HDMI Output
- 4 HDMI Input
- 5 DC Input
- 6 SD Card Slot
- 7 1/4"-20 Thread Hole
- 8 USB Upgrade Port
- 9 NP-F Battery Plate
- 10 3.5mm Headphone Jack

Technical Parameters

MODEL NO. :	M5
Screen Size :	5.5TP
Screen Resolution :	1920*1080
Aspect Ratio :	16: 9
Brightness :	1200cd/m ²
Contrast Ratio :	1000: 1
Viewing Angle :	160° (H/V)
Interface :	DC In , HDMI Input, HDMI Output, 3.5mm Headphone out, SD card slot, Type-C
LUT Format :	cube file (17*17*17 And 33*33*33)
Output/Input Signal Formats :	4096*2160P25/24/23.98 3840*2160P30/23.98/25/24/23.98 1920*1080p60/59.94/50/30/29.97/25/24/23.98 1920*1080i60/59.94/50 1280*720p60/59.94/50
Audio Frequency :	48kHz
Power Supply Method :	NP-F/DCIN
Input Voltage :	DC 6.5V-16.8V
Power Consumption :	< 6.5w
Firmware Update :	SD card update
Weight :	278.5g
Unit Size :	146.6*87.6*26.5mm